

## BF40M

Belt conveyor with mid drive. The product has a wide range of standard belts.

General load capacity for the BF40-family reaches up to 75 kg. Some combinations may give significantly less capacity, normally limited either by the available power or the belt traction capacity.

Dimension in mm.

For dimensions outside our standard range, please contact Rollco.

Use our CAD configurator to design your Belt conveyor according to your preferences and get a visual view, download data sheet and CAD files.

Declaration of incorporation of partly completed machinery according to Directive 2006/42/EC Annex II 1B.

**Length (mm):** Up to 4000

**Gear ratio (I):** 5 / 7.5 / 10 / 15 / 20 / 25 / 30 / 40 / 50

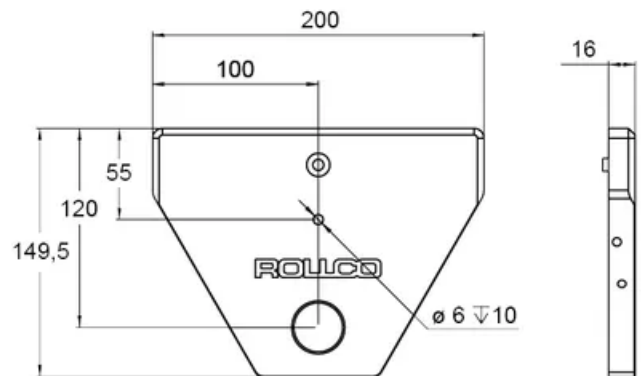
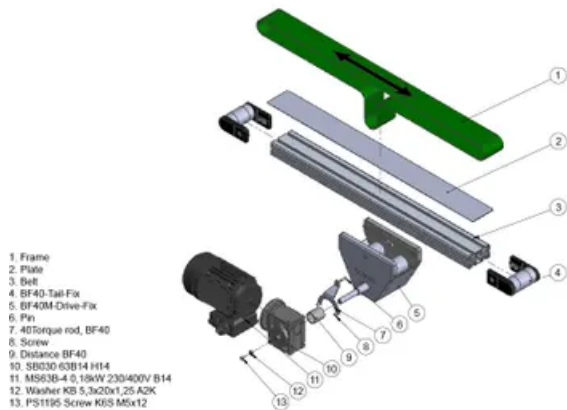
**Speed (m/min):** 37 (37.3) / 25 (24.9) / 19 (18.7) / 12 (12.4) / 9 (9.4) / 8 (7.5) / 6 (6.2) / 5 (4.7) / 4 (3.7)

**Drive side:** Right/left

**Motor Position:** Horizontal/vertical — 1-4

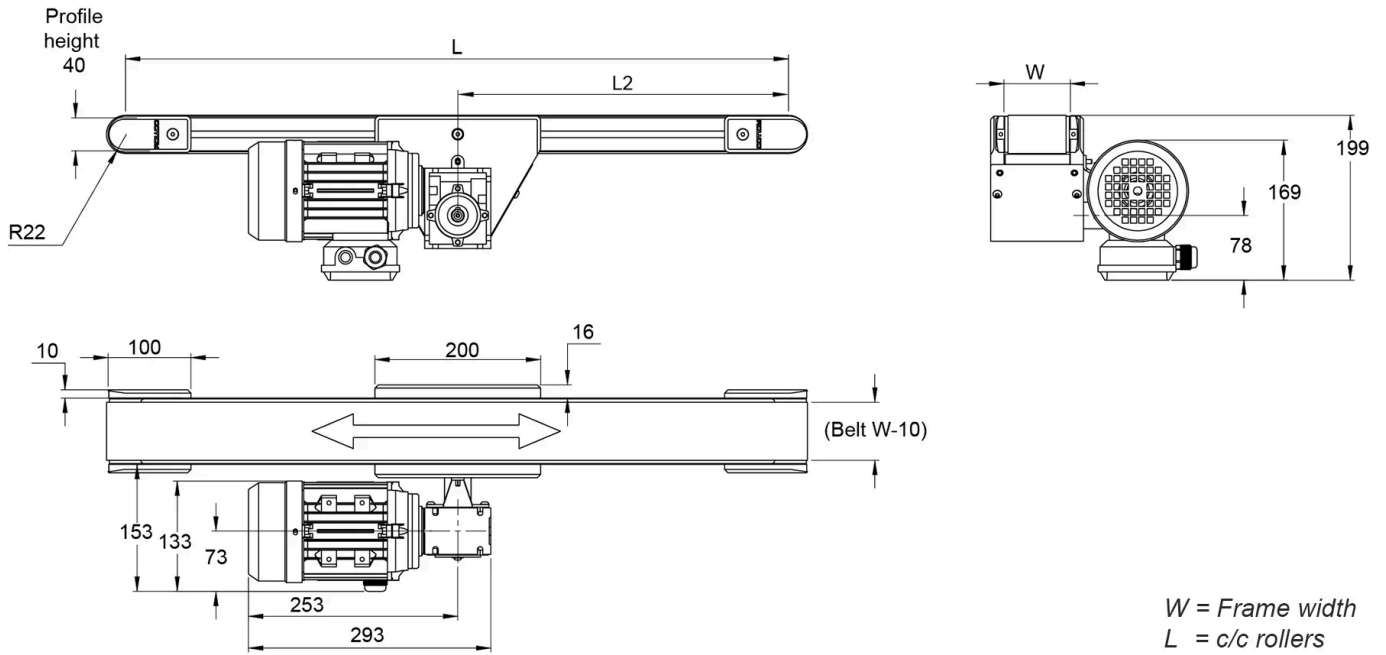


## BF40M Drive holder



Gear ratio (I)	Speed (m/min)
5	37 (37,3)
7,5	25 (24,9)
10	19 (18,7)
15	12 (12,4)
20	9 (9,4)
25	8 (7,5)
30	6 (6,2)
40	5 (4,7)
50	4 (3,7)

## General Data



Designation	Width (mm)
BF40M - 40	40
BF40M - 80	80
BF40M - 120	120
BF40M - 160	160
BF40M - 200	200
BF40M - 250	250
BF40M - 300	300
BF40M - 350	350
BF40M - 400	400