

DE..43

Full extension consisting of two guide rails, combined as double-T profile, form the intermediate element, and two sliders, which as fixed and movable element form the connection to the adjacent construction. The square cross-section allows a compact size with high load capacities and low deflection, especially with radial loading. A custom design is available for extensions with double-sided strokes. The simultaneous movement of the intermediate element is implemented with a driving disc.



There are three versions of fixing holes available for the DE series in sizes 22 to 43:

- Version DEF with threaded holes.
- Version DEV with countersunk holes.
- Version DEM, both variants (mixed).
- Size 63 is always with threaded holes.

Custom Design DE Version D

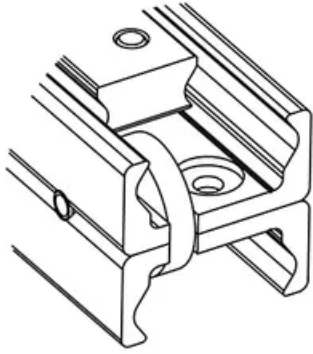
The eccentrically located driving disc on both ends of the DE...D ensures that the intermediate element is carried along and does not remain standing at an undefined location during double-sided strokes. This custom design is available in sizes 28, 35, 43 and 63 with all three versions of the fixing holes. It is built on the standard design of the DE series, however deviates in the technical data based on the model. For CAD-files or more information please contact Rollco.

Special strokes are defined as deviations from standard stroke H. See section "Special strokes" in the document Technical Information for Telescopic Rail Heavy.

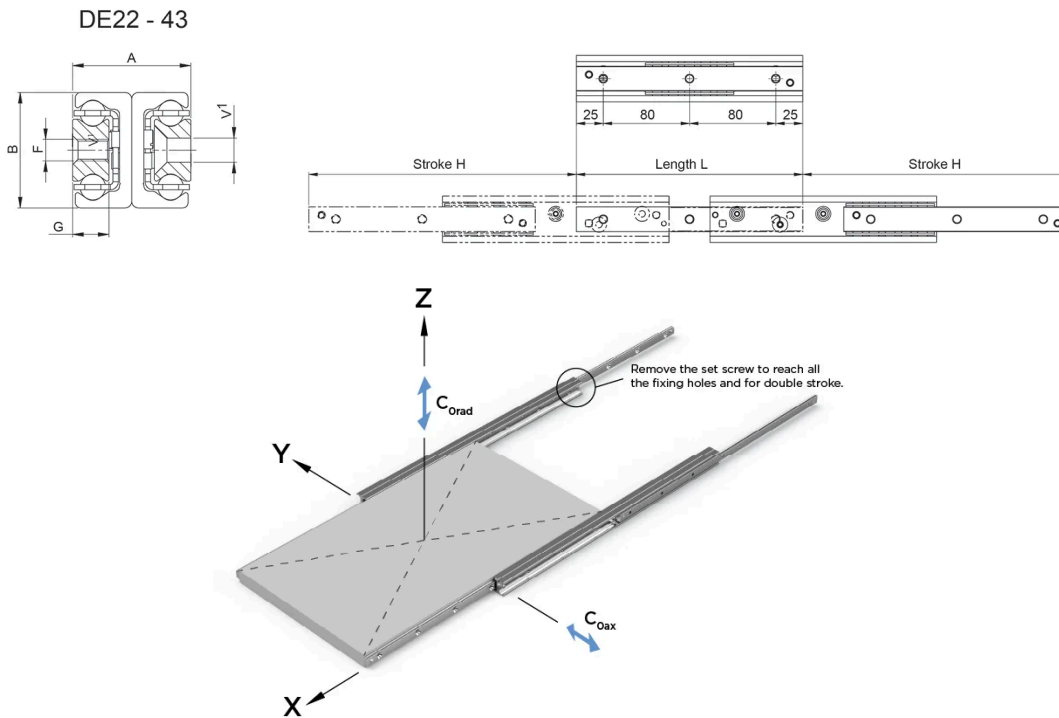
System Load Capacity Radial and System Load Capacity Axial values refers to a pair of rails. Dimensions in mm.

See Technical Information for further details, operating conditions and installation instructions.

DE..43



General Data



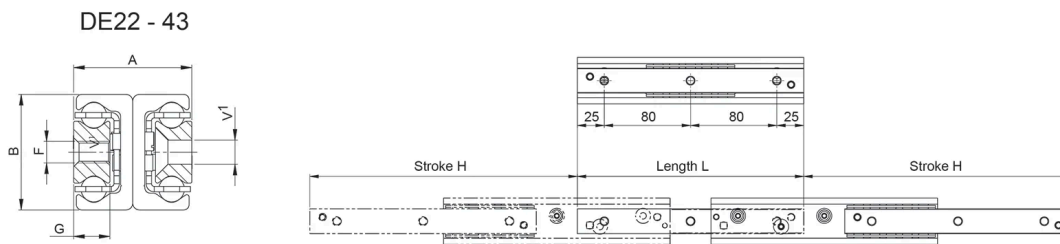
Designation	Length	Stroke	Weight (kg/m)	System Load Capacity Radial (N)	System Load Capacity Axial (N)
DE..43-210	210	246	10.5	1210	848
DE..43-290	290	316	10.5	2228	1560
DE..43-370	370	416	10.5	2600	1820
DE..43-450	450	486	10.5	3656	2558
DE..43-530	530	556	10.5	4750	2868
DE..43-610	610	626	10.5	5868	2600
DE..43-690	690	726	10.5	6182	2192
DE..43-770	770	796	10.5	6110	2032
DE..43-850	850	866	10.5	5694	1892
DE..43-930	930	966	10.5	5012	1666
DE..43-1010	1010	1036	10.5	4728	1572
DE..43-1090	1090	1106	10.5	4476	1488
DE..43-1170	1170	1206	10.5	4044	1344
DE..43-1250	1250	1276	10.5	3856	1282
DE..43-1330	1330	1376	10.5	3532	1174
DE..43-1410	1410	1446	10.5	3388	1126
DE..43-1490	1490	1516	10.5	3256	1082
DE..43-1570	1570	1586	10.5	3134	1042
DE..43-1650	1650	1686	10.5	2916	970
DE..43-1730	1730	1756	10.5	2818	936
DE..43-1810	1810	1856	10.5	2640	878
DE..43-1890	1890	1936	10.5	2560	850
DE..43-1970	1970	2026	10.5	2412	802

Designation	Number of Fixing Holes
DE..43-210	3
DE..43-290	4
DE..43-370	5
DE..43-450	6
DE..43-530	7

General Data

Designation	Number of Fixing Holes
DE..43-610	8
DE..43-690	9
DE..43-770	10
DE..43-850	11
DE..43-930	12
DE..43-1010	13
DE..43-1090	14
DE..43-1170	15
DE..43-1250	16
DE..43-1330	17
DE..43-1410	18
DE..43-1490	19
DE..43-1570	20
DE..43-1650	21
DE..43-1730	22
DE..43-1810	23
DE..43-1890	24
DE..43-1970	25

Dimensions



Designation	A	B	F	G	V
DE..43-210	44	43	M8	13.5	M8
DE..43-290	44	43	M8	13.5	M8
DE..43-370	44	43	M8	13.5	M8
DE..43-450	44	43	M8	13.5	M8
DE..43-530	44	43	M8	13.5	M8
DE..43-610	44	43	M8	13.5	M8
DE..43-690	44	43	M8	13.5	M8
DE..43-770	44	43	M8	13.5	M8
DE..43-850	44	43	M8	13.5	M8
DE..43-930	44	43	M8	13.5	M8
DE..43-1010	44	43	M8	13.5	M8
DE..43-1090	44	43	M8	13.5	M8
DE..43-1170	44	43	M8	13.5	M8
DE..43-1250	44	43	M8	13.5	M8
DE..43-1330	44	43	M8	13.5	M8
DE..43-1410	44	43	M8	13.5	M8
DE..43-1490	44	43	M8	13.5	M8
DE..43-1570	44	43	M8	13.5	M8
DE..43-1650	44	43	M8	13.5	M8
DE..43-1730	44	43	M8	13.5	M8
DE..43-1810	44	43	M8	13.5	M8
DE..43-1890	44	43	M8	13.5	M8
DE..43-1970	44	43	M8	13.5	M8