

DSD43

Full extension consisting of two guide rails made of fixed and movable elements and an S-shaped intermediate element. This has a high moment of inertia and high rigidity with slim size. This results in a high loading capacity with low deflection in the extended state.

The DS series is available in three different designs: Version S with one-sided extension, Version B with locking system in closed position for one-sided extension (DSB) and Version D with double-sided extension (DSD).

Number of holes shown in table are accessible holes/total holes.

Special strokes are defined as deviations from standard stroke H. See section "Special strokes" in the document Technical Information for Telescopic Rail Heavy.

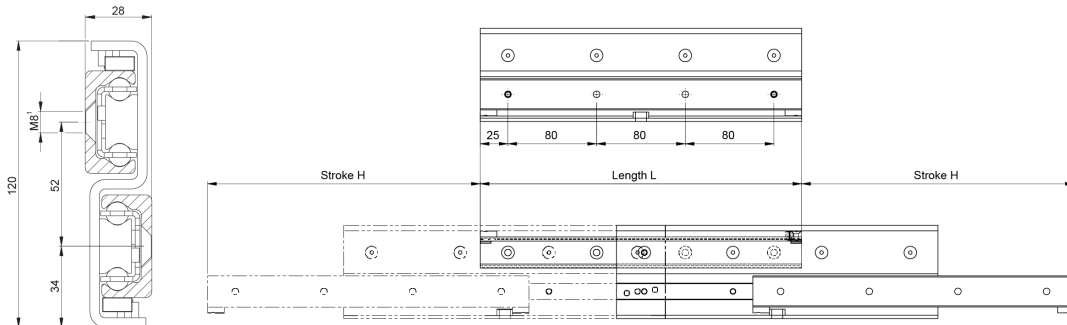
System Load Capacity Radial value refers to a pair of rails. Dimensions in mm.

See Technical Information for further details, operating conditions and installation instructions.

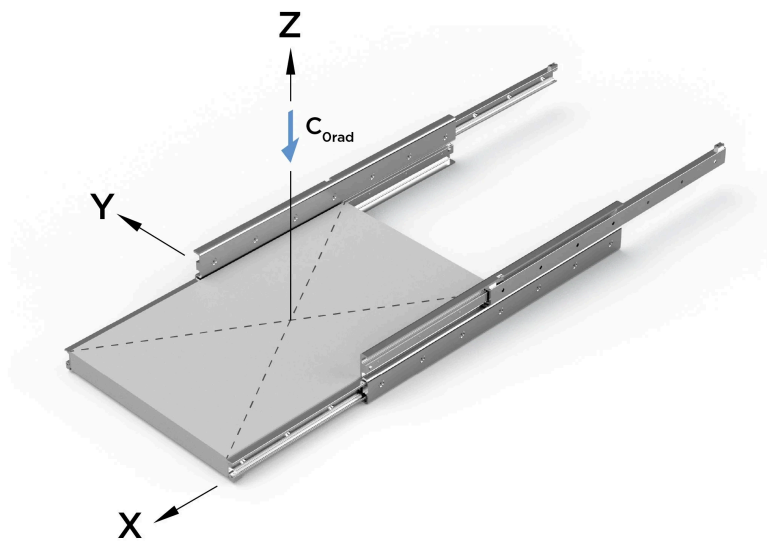


General Data

DSD43



* Fixing holes for countersunk head screws according to DIN 7991.



Designation	Length	Stroke	Weight (kg/m)	System Load Capacity Radial (N)	Number of Fixing Holes
DSD43-530	530	476	14.6	6036	6/7
DSD43-610	610	556	14.6	6530	8/8
DSD43-690	690	636	14.6	7562	8/9
DSD43-770	770	716	14.6	8594	10/10
DSD43-850	850	796	14.6	9094	10/11
DSD43-930	930	876	14.6	10126	12/12
DSD43-1010	1010	956	14.6	11156	12/13
DSD43-1090	1090	1036	14.6	11660	14/14
DSD43-1170	1170	1116	14.6	10784	14/15
DSD43-1250	1250	1196	14.6	10028	16/16
DSD43-1330	1330	1276	14.6	9372	16/17
DSD43-1410	1410	1356	14.6	8796	18/18
DSD43-1490	1490	1436	14.6	8286	18/19
DSD43-1570	1570	1516	14.6	7834	20/20
DSD43-1650	1650	1596	14.6	7426	20/21
DSD43-1730	1730	1676	14.6	7060	22/22
DSD43-1810	1810	1756	14.6	6728	22/23
DSD43-1890	1890	1836	14.6	6426	24/24
DSD43-1970	1970	1916	14.6	6150	24/25