

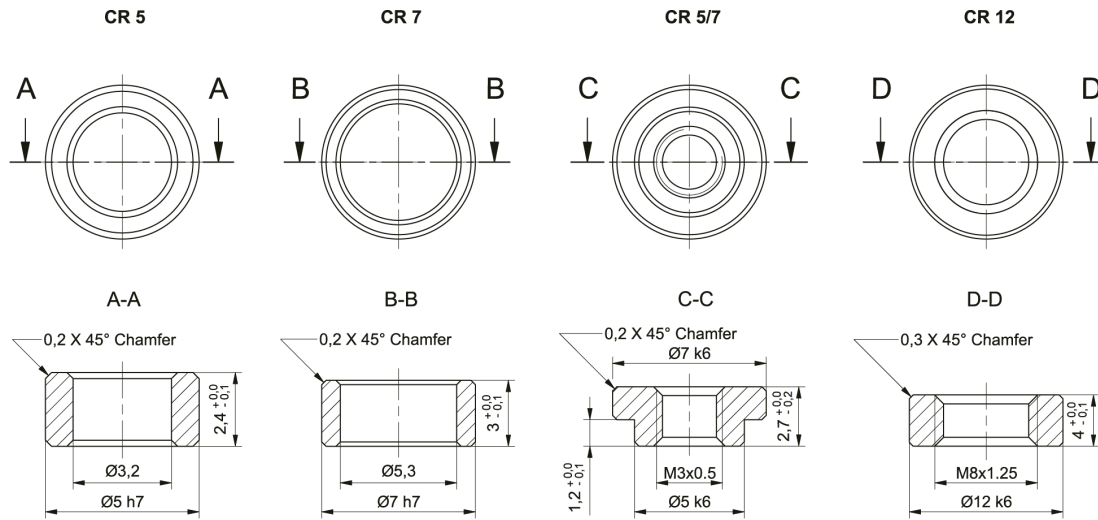
Centering ring

The scale of the drawings may not be equal.

Material: Stainless steel



General Data



| Designation | Mass (g) |
|-----------------|----------|
| CR 5 - 107094 | 0.2 |
| CR 7 - 23332 | 0.4 |
| CR 5/7 - 107095 | 0.5 |
| CR 12 - 49049 | 2.4 |