

Couplings

Dimension in mm.

The maximum transmittable torque of the clamping hub depends on the bore diameter and is limited to the size of the PNCE.



Max. transmittable and drive torque $M_{p,c}$ [Nm] depending on bore diameter

Designation	Ø4	Ø5	Ø8	Ø16	Ø19	Ø25	Ø30	Ø32	Ø35
EKL 5	1,5	2	8	-	-	-	-	-	-
EKL 10	-	4	12	32	-	-	-	-	-
EKL 20	-	-	20	35	45	60	-	-	-
EKL 60	-	-	-	50	80	100	110	120	-
EKL 150	-	-	-	-	120	160	180	200	220

Max. transmittable and drive torque $M_{p,c}$ [Nm] limited to PNCE size

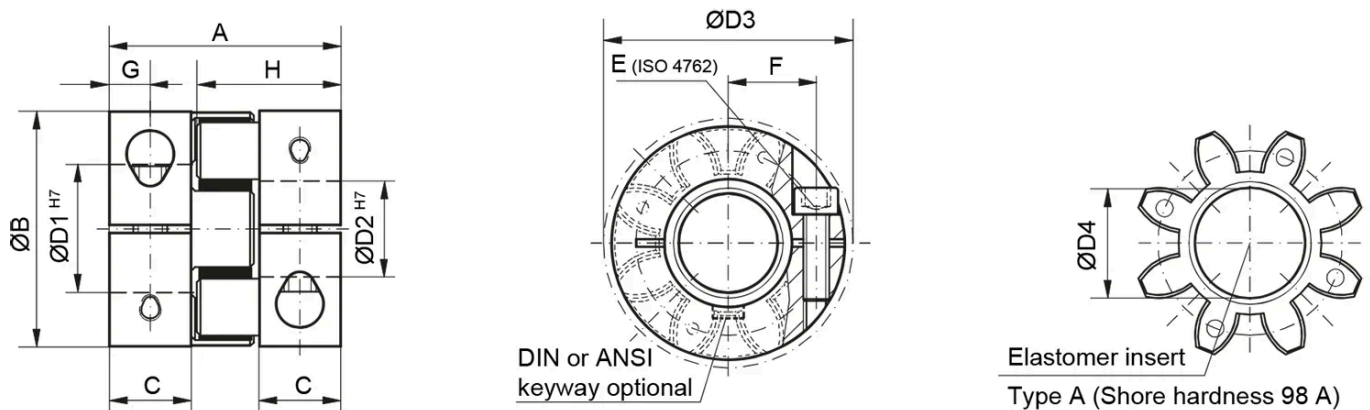
Designation	PNCE 32	PNCE 40	PNCE 50	PNCE 63	PNCE 80	PNCE 100
EKL 5	2,2	-	-	-	-	-
EKL 10	2,2	5,3	13,9	-	-	-
EKL 20	-	-	13,9	33,3	-	-
EKL 60	-	-	-	35,1	60,7	-
EKL 150	-	-	-	-	-	160

General Data

Designation	Moment of inertia per hub (10^{-3} kg m ²)	Speed standard (min ⁻¹)	Max. Torque (Nm)	Rated Torque (Nm)	Tightening Torque of the Clamping Screw (Nm)
EKL 5	0.002	15000	18	9	2
EKL 10	0.003	13000	25	12.5	4
EKL 20	0.01	12500	34	17	8
EKL 60	0.04	11000	120	60	15
EKL 150	0.08	10000	320	160	35

Designation	Weight (kg)
EKL 5	≈ 0.02
EKL 10	≈ 0.05
EKL 20	≈ 0.12
EKL 60	≈ 0.3
EKL 150	≈ 0.5

Dimensions



Designation	A	B	D1	D2	D3	D4	E	F	G
EKL 5	26	25	4	12.7	25	10.2	M3	8	4
EKL 10	32	32	4	16	32	14.2	M4	10.5	5
EKL 20	50	42	8	25	44.5	19.2	M5	15.5	8.5
EKL 60	58	56	12	32	57	26.2	M6	21	10

Designation	A	B	D1	D2	D3	D4	E	F	G
EKL 150	62	66.5	19	36	68	29.2	M8	24	11

Designation	C	H	Permissible bore diameters
EKL 5	8	16.7	4 / 5 / 8
EKL 10	10.3	20.7	5 / 8 / 16
EKL 20	17	31	8 / 16 / 19 / 25
EKL 60	20	36	16 / 19 / 25 / 30 / 32
EKL 150	21	39	19 / 25 / 30 / 32 / 35