

## ZK

Dimensions in mm.

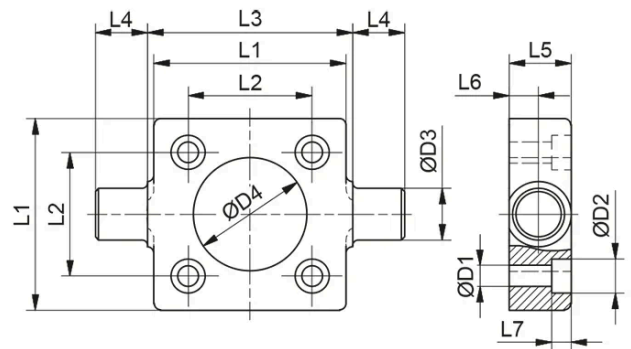
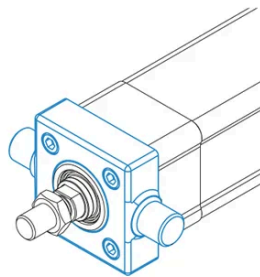
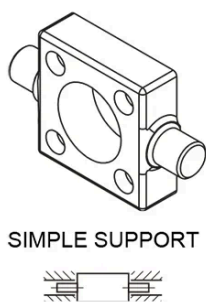
**Material:** Galvanized steel



## General Data

| Designation    | Description | Compatible with | Fmax (N) | Mass (kg) |
|----------------|-------------|-----------------|----------|-----------|
| ZK 32 - 69075  | ZK 32       | PNCE 32         | F PNCE   | 0.17      |
| ZK 40 - 69083  | ZK 40       | PNCE 40         | F PNCE   | 0.43      |
| ZK 50 - 69084  | ZK 50       | PNCE 50         | F PNCE   | 0.58      |
| ZK 63 - 69085  | ZK 63       | PNCE 63         | F PNCE   | 1.12      |
| ZK 80 - 83027  | ZK 80       | PNCE 80         | F PNCE   | 1.57      |
| ZK 100 - 83028 | ZK 100      | PNCE 100        | F PNCE   | 2.93      |

## Dimensions



| Designation    | L1  | L2   | L3        | L4       | L5 | L6              | L7            | D1     | D2     |
|----------------|-----|------|-----------|----------|----|-----------------|---------------|--------|--------|
| ZK 32 - 69075  | 46  | 32.5 | 50 (h14)  | 12 (h14) | 14 | 6.5 (+0.2 / 0)  | 6 (+0.5 / 0)  | Ø 6.5  | Ø 10.5 |
| ZK 40 - 69083  | 59  | 38   | 63 (h14)  | 16 (h14) | 19 | 9 (+0.2 / 0)    | 6 (+0.5 / 0)  | Ø 6.5  | Ø 10.5 |
| ZK 50 - 69084  | 69  | 46.5 | 75 (h14)  | 16 (h14) | 19 | 9 (+0.2 / 0)    | 8 (+0.5 / 0)  | Ø 8.5  | Ø 13.5 |
| ZK 63 - 69085  | 84  | 56.5 | 90 (h14)  | 20 (h14) | 24 | 11.5 (+0.2 / 0) | 8 (+0.5 / 0)  | Ø 8.5  | Ø 13.5 |
| ZK 80 - 83027  | 102 | 72   | 110 (h14) | 20 (h14) | 24 | 11.5 (+0.2 / 0) | 10 (+0.5 / 0) | Ø 10.5 | Ø 16.5 |
| ZK 100 - 83028 | 125 | 89   | 132 (h14) | 25 (h14) | 29 | 14 (+0.2 / 0)   | 10 (+0.5 / 0) | Ø 10.5 | Ø 16.5 |

| Designation    | D3        | D4         |
|----------------|-----------|------------|
| ZK 32 - 69075  | Ø 12 (e9) | Ø 30 (H11) |
| ZK 40 - 69083  | Ø 16 (e9) | Ø 35 (H11) |
| ZK 50 - 69084  | Ø 16 (e9) | Ø 40 (H11) |
| ZK 63 - 69085  | Ø 20 (e9) | Ø 45 (H11) |
| ZK 80 - 83027  | Ø 20 (e9) | Ø 60 (H11) |
| ZK 100 - 83028 | Ø 25 (e9) | Ø 70 (H11) |