

SG

Dimensions in mm.

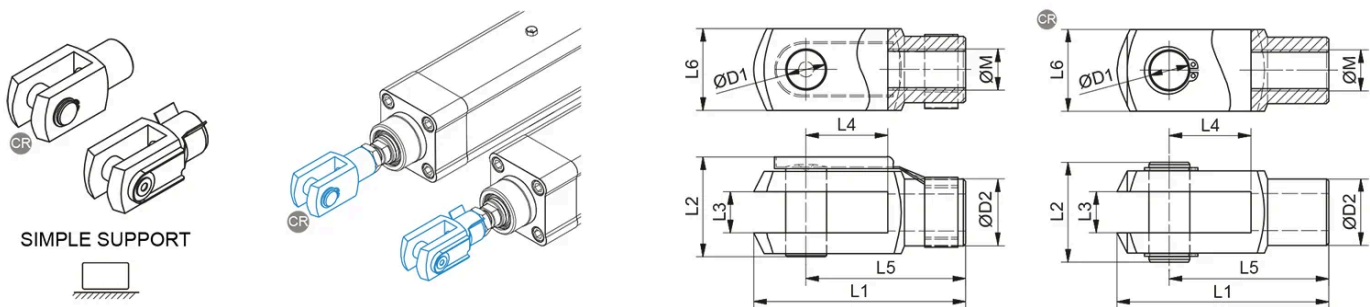
Material: Galvanized or stainless steel AISI 304



General Data

| Designation | Description | Compatible with | Material | Fmax (N) | Mass (kg) |
|-------------------|-------------|-----------------|--------------------------|----------|-----------|
| SG 32 - 9186 | SG 32 | PNCE 32 | Galvanized steel | F PNCE | 0.09 |
| SG 32 CR - 69547 | SG 32 CR | PNCE 32 | Stainless steel AISI 304 | F PNCE | 0.09 |
| SG 40 - 9189 | SG 40 | PNCE 40 | Galvanized steel | F PNCE | 0.15 |
| SG 40 CR - 69548 | SG 40 CR | PNCE 40 | Stainless steel AISI 304 | F PNCE | 0.15 |
| SG 50 - 9191 | SG 50 | PNCE 50 | Galvanized steel | F PNCE | 0.33 |
| SG 50 CR - 69549 | SG 50 CR | PNCE 50 | Stainless steel AISI 304 | F PNCE | 0.33 |
| SG 63 - 9191 | SG 63 | PNCE 63 | Galvanized steel | F PNCE | 0.33 |
| SG 63 CR - 69549 | SG 63 CR | PNCE 63 | Stainless steel AISI 304 | F PNCE | 0.33 |
| SG 80 - 9192 | SG 80 | PNCE 80 | Galvanized steel | F PNCE | 0.68 |
| SG 80 CR - 70248 | SG 80 CR | PNCE 80 | Stainless steel AISI 304 | F PNCE | 0.68 |
| SG 100 - 9192 | SG 100 | PNCE 100 | Galvanized steel | F PNCE | 0.68 |
| SG 100 CR - 70248 | SG 100 CR | PNCE 100 | Stainless steel AISI 304 | F PNCE | 0.68 |

Dimensions



| Designation | M | L1 | L2 | L3 | L4 | L5 | L6 | D1 | D2 |
|-------------------|------------|------------|----|----------|-----------|----|----|------------|------|
| SG 32 - 9186 | M10 × 1.25 | 52 (±0.5) | 26 | 10 (B13) | 20 (±0.5) | 40 | 20 | Ø 10 (h11) | Ø 18 |
| SG 32 CR - 69547 | M10 × 1.25 | 52 (±0.5) | 25 | 10 (B13) | 20 (±0.5) | 40 | 20 | Ø 10 (h11) | Ø 18 |
| SG 40 - 9189 | M12 × 1.25 | 62 (±0.5) | 32 | 12 (B13) | 24 (±0.5) | 48 | 24 | Ø 12 (h11) | Ø 20 |
| SG 40 CR - 69548 | M12 × 1.25 | 62 (±0.5) | 30 | 12 (B13) | 24 (±0.5) | 48 | 24 | Ø 12 (h11) | Ø 20 |
| SG 50 - 9191 | M16 × 1.5 | 83 (±0.5) | 40 | 16 (B13) | 32 (±0.5) | 64 | 32 | Ø 16 (h11) | Ø 26 |
| SG 50 CR - 69549 | M16 × 1.5 | 83 (±0.5) | 39 | 16 (B13) | 32 (±0.5) | 64 | 32 | Ø 16 (h11) | Ø 26 |
| SG 63 - 9191 | M16 × 1.5 | 83 (±0.5) | 40 | 16 (B13) | 32 (±0.5) | 64 | 32 | Ø 16 (h11) | Ø 26 |
| SG 63 CR - 69549 | M16 × 1.5 | 83 (±0.5) | 39 | 16 (B13) | 32 (±0.5) | 64 | 32 | Ø 16 (h11) | Ø 26 |
| SG 80 - 9192 | M20 × 1.5 | 105 (±0.5) | 48 | 20 (B13) | 40 (±0.5) | 80 | 40 | Ø 20 (h11) | Ø 34 |
| SG 80 CR - 70248 | M20 × 1.5 | 105 (±0.5) | 48 | 20 (B13) | 40 (±0.5) | 80 | 40 | Ø 20 (h11) | Ø 34 |
| SG 100 - 9192 | M20 × 1.5 | 105 (±0.5) | 48 | 20 (B13) | 40 (±0.5) | 80 | 40 | Ø 20 (h11) | Ø 34 |
| SG 100 CR - 70248 | M20 × 1.5 | 105 (±0.5) | 48 | 20 (B13) | 40 (±0.5) | 80 | 40 | Ø 20 (h11) | Ø 34 |