

## Fixing System

The linear units are mounted by using fixtures which are placed in the slot on the side of the profile.  
Linear unit must be mounted by the aluminium profile.

Recommended number of clamping fixtures:

For T1 is recommended 6 pcs. per meter on each side.

For T2 is recommended 3 pcs. per meter on each side .

For T3 is recommended 3 pcs. per meter on each side.

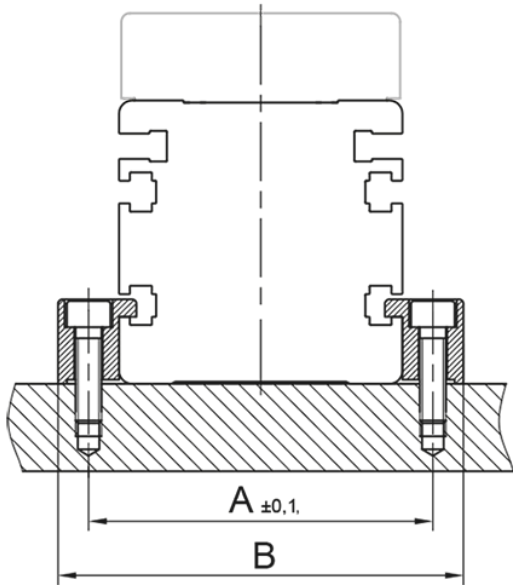
Contact Rollco for CAD-files.

Dimensions in mm.

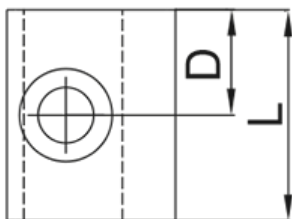
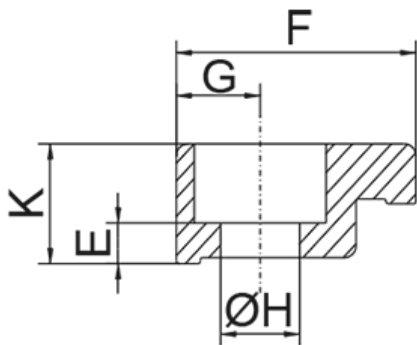
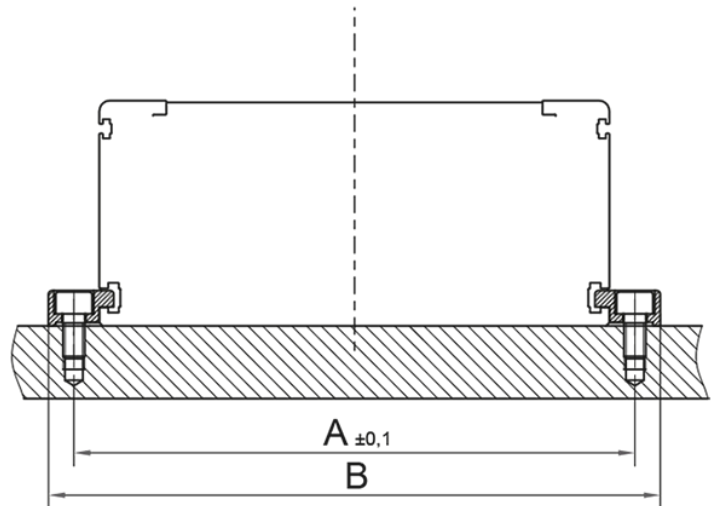


**General Data**

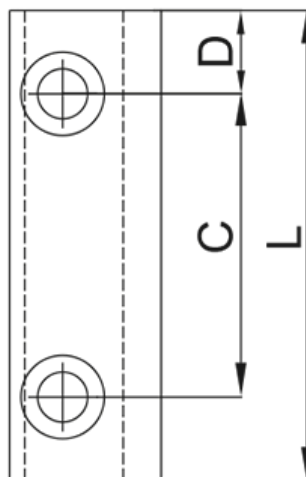
**MTJ, MRJ, MTV,  
MTJ ECO**



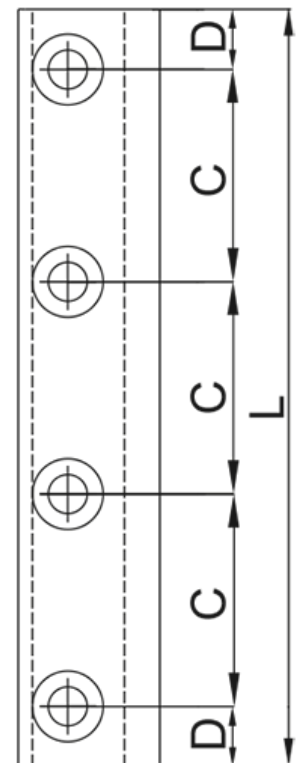
**CTV, CTJ**



T1



T2



T3

| Designation         | Compatible with   | Type | A   | B   | C  |
|---------------------|-------------------|------|-----|-----|----|
| Fixing system 37129 | MTJ, MRJ, MTV 65  | T2   | 78  | 93  | 40 |
| Fixing system 37129 | MTJ, MRJ, MTV 80  | T2   | 93  | 108 | 40 |
| Fixing system 44375 | MTJ, MRJ, MTV 110 | T2   | 130 | 150 | 40 |

| Designation         | Compatible with | Type | A   | B    | C  |
|---------------------|-----------------|------|-----|------|----|
| Fixing system 40728 | MTJ ECO 40      | T2   | 52  | 66   | 40 |
| Fixing system 46994 | CTV, CTJ 90     | T1   | 102 | 112  | /  |
| Fixing system 48636 | CTV, CTJ 90     | T2   | 102 | 112  | 40 |
| Fixing system 47163 | CTV, CTJ 90     | T3   | 102 | 112  | 20 |
| Fixing system 55261 | CTV, CTJ 90     | T3   | 102 | 112  | 25 |
| Fixing system 55638 | CTV, CTJ 90     | T3   | 102 | 112  | 30 |
| Fixing system 48643 | CTV, CTJ 110    | T2   | 126 | 140  | 40 |
| Fixing system 46995 | CTV, CTJ 110    | T3   | 126 | 140  | 30 |
| Fixing system 55260 | CTV, CTJ 110    | T3   | 126 | 140  | 40 |
| Fixing system 48642 | CTV, CTJ 145    | T1   | 161 | 175  | /  |
| Fixing system 48643 | CTV, CTJ 110    | T2   | 126 | 140  | 40 |
| Fixing system 48640 | CTV, CTJ 145    | T3   | 161 | 175  | 20 |
| Fixing system 46995 | CTV, CTJ 110    | T3   | 126 | 140  | 30 |
| Fixing system 53049 | CTV, CTJ 200    | T2   | 222 | 240  | 40 |
| Fixing system 53050 | CTV, CTJ 200    | T2   | 222 | 240  | 50 |
| Fixing system 53051 | CTV, CTJ 200    | T2   | 222 | 240  | 70 |
| Fixing system 37139 | MTJ, MRJ 40     | T2   | 50  | 64.4 | 40 |

| Designation         | D    | E    | F  | G   | H     | K    |
|---------------------|------|------|----|-----|-------|------|
| Fixing system 37129 | 10   | 11.5 | 20 | 7.5 | Ø 6.5 | 20   |
| Fixing system 37129 | 10   | 11.5 | 20 | 7.5 | Ø 6.5 | 20   |
| Fixing system 44375 | 10   | 18   | 30 | 10  | Ø 8.5 | 27   |
| Fixing system 40728 | 7.5  | 14.5 | 20 | 7   | Ø 5.5 | 20   |
| Fixing system 46994 | 12.5 | 4.5  | 15 | 5   | Ø 4.5 | 9    |
| Fixing system 48636 | 11   | 4.5  | 15 | 5   | Ø 4.5 | 9    |
| Fixing system 47163 | 8.5  | 4.5  | 15 | 5   | Ø 4.5 | 9    |
| Fixing system 55261 | 6    | 4.5  | 15 | 5   | Ø 4.5 | 9    |
| Fixing system 55638 | 8.5  | 4.5  | 15 | 5   | Ø 4.5 | 9    |
| Fixing system 48643 | 11   | 3.4  | 20 | 7   | Ø 6.6 | 10   |
| Fixing system 46995 | 8.5  | 4.5  | 20 | 7   | Ø 5.5 | 10   |
| Fixing system 55260 | 11   | 3.4  | 20 | 7   | Ø 6.6 | 10   |
| Fixing system 48642 | 12.5 | 3.4  | 20 | 7   | Ø 6.6 | 10   |
| Fixing system 48643 | 11   | 3.4  | 20 | 7   | Ø 6.6 | 10   |
| Fixing system 48640 | 8.5  | 4.5  | 20 | 7   | Ø 5.5 | 10   |
| Fixing system 46995 | 8.5  | 4.5  | 20 | 7   | Ø 5.5 | 10   |
| Fixing system 53049 | 19   | 14.8 | 29 | 9   | Ø 8.5 | 27.5 |
| Fixing system 53050 | 19   | 14.8 | 29 | 9   | Ø 8.5 | 27.5 |
| Fixing system 53051 | 19   | 16.3 | 29 | 9   | Ø 8.5 | 27.5 |
| Fixing system 37139 | 7.5  | 2.5  | 15 | 7.2 | Ø 5.5 | 8    |

| Designation         | L  | Screw Type | Countersink for | Weight (kg) |
|---------------------|----|------------|-----------------|-------------|
| Fixing system 37129 | 60 | M6         | DIN 912         | 0.054       |
| Fixing system 37129 | 60 | M6         | DIN 912         | 0.054       |
| Fixing system 44375 | 60 | M8         | DIN 912         | 0.082       |
| Fixing system 40728 | 55 | M5         | DIN 912         | 0.035       |
| Fixing system 46994 | 25 | M4         | DIN 912         | 0.01        |

| Designation         | L   | Screw Type | Countersink for | Weight (kg) |
|---------------------|-----|------------|-----------------|-------------|
| Fixing system 48636 | 62  | M4         | DIN 912         | 0.02        |
| Fixing system 47163 | 77  | M4         | DIN 912         | 0.025       |
| Fixing system 55261 | 87  | M4         | DIN 912         | 0.028       |
| Fixing system 55638 | 107 | M4         | DIN 912         | 0.031       |
| Fixing system 48643 | 62  | M6         | DIN 912         | 0.03        |
| Fixing system 46995 | 107 | M5         | DIN 912         | 0.045       |
| Fixing system 55260 | 142 | M6         | DIN 912         | 0.056       |
| Fixing system 48642 | 25  | M6         | DIN 912         | 0.01        |
| Fixing system 48643 | 62  | M6         | DIN 912         | 0.03        |
| Fixing system 48640 | 77  | M5         | DIN 912         | 0.03        |
| Fixing system 46995 | 107 | M5         | DIN 912         | 0.045       |
| Fixing system 53049 | 78  | M8         | DIN 912         | 0.11        |
| Fixing system 53050 | 88  | M8         | DIN 912         | 0.12        |
| Fixing system 53051 | 108 | M8         | DIN 912         | 0.16        |
| Fixing system 37139 | 55  | M5         | DIN 912         | 0.014       |