

Rollers for Plate Version

CONCENTRIC ROLLER

RSBLN: Standard bearing steel

RXBLN: Stainless bearing steel (AISI-440C)

ECCENTRIC ROLLER

RSBLA: Standard bearing steel

RXBLA: Stainless bearing steel (AISI-440C)

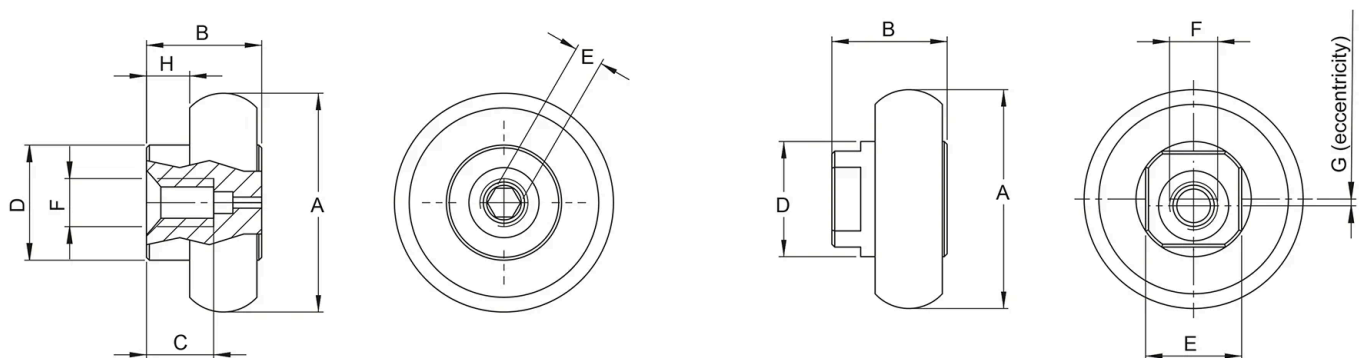
Standard slider is with 3 rollers. The rollers can also be mounted directly into your application or we can make special sliders according to your needs. Please contact Rollco for more information.



General Data

| Designation | Weight (kg) |
|-------------|-------------|
| RSBLN20-2Z | 0.006 |
| RXBLN20-2RS | 0.006 |
| RSBLA20-2Z | 0.006 |
| RXBLA20-2RS | 0.006 |
| RSBLN30-2Z | 0.02 |
| RXBLN30-2RS | 0.02 |
| RSBLA30-2Z | 0.02 |
| RXBLA30-2RS | 0.02 |
| RSBLN45-2Z | 0.068 |
| RXBLN45-2RS | 0.068 |
| RSBLA45-2Z | 0.068 |
| RXBLA45-2RS | 0.068 |

Dimensions



| Designation | A | B | C | D | E | F | G | H |
|-------------|---------------|------|----|----|----|----|-----|-----|
| RSBLN20-2Z | 14 +0/-0.04 | 8.2 | 6 | 8 | 2 | M4 | - | 4 |
| RXBLN20-2RS | 14 +0/-0.04 | 8.2 | 6 | 8 | 2 | M4 | - | 4 |
| RSBLA20-2Z | 14 +0/-0.04 | 8.2 | 6 | 8 | 6 | M4 | 0.5 | 4 |
| RXBLA20-2RS | 14 +0/-0.04 | 8.2 | 6 | 8 | 6 | M4 | 0.5 | 4 |
| RSBLN30-2Z | 22.8 +0/-0.05 | 12 | 7 | 12 | 3 | M5 | - | 4.5 |
| RXBLN30-2RS | 22.8 +0/-0.05 | 12 | 7 | 12 | 3 | M5 | - | 4.5 |
| RSBLA30-2Z | 22.8 +0/-0.05 | 12 | 7 | 12 | 10 | M5 | 0.7 | 4.5 |
| RXBLA30-2RS | 22.8 +0/-0.05 | 12 | 7 | 12 | 10 | M5 | 0.7 | 4.5 |
| RSBLN45-2Z | 35.6 +0/-0.06 | 17.3 | 12 | 16 | 3 | M6 | - | 6 |
| RXBLN45-2RS | 35.6 +0/-0.06 | 17.3 | 12 | 16 | 3 | M6 | - | 6 |
| RSBLA45-2Z | 35.6 +0/-0.06 | 17.3 | 12 | 16 | 13 | M6 | 0.8 | 6 |
| RXBLA45-2RS | 35.6 +0/-0.06 | 17.3 | 12 | 16 | 13 | M6 | 0.8 | 6 |