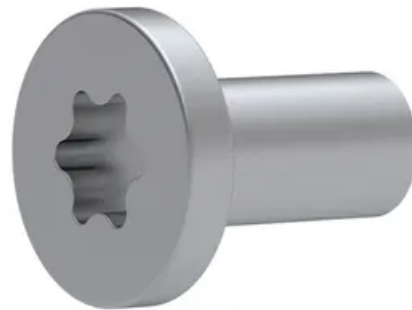


Fixing screws

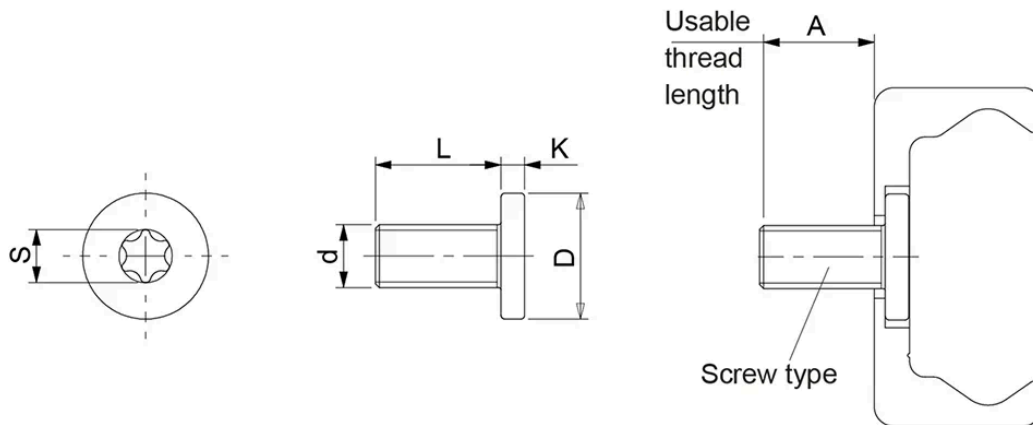
When a rail with counterbored holes is delivered, the Torx® screws are provided in the right quantity.



General Data

| Designation | Size | Tightening Torque (Nm) |
|--------------------|------|------------------------|
| Torx size 18 M4x8 | 18 | 3 |
| Torx size 28 M5x10 | 28 | 9 |
| Torx size 43 M8x16 | 43 | 22 |
| Torx size 63 M8x20 | 63 | 35 |

Dimensions



| Designation | A | L | d | D | K | S |
|--------------------|------|----|-----------|----|---|-----|
| Torx size 18 M4x8 | 7.2 | 8 | M4 x 0.7 | 8 | 2 | T20 |
| Torx size 28 M5x10 | 9 | 10 | M5 x 0.8 | 10 | 2 | T25 |
| Torx size 43 M8x16 | 14.6 | 16 | M8 x 1.25 | 16 | 3 | T40 |
| Torx size 63 M8x20 | 17.2 | 20 | M8 x 1.25 | 13 | 5 | T40 |