

SNFSCR

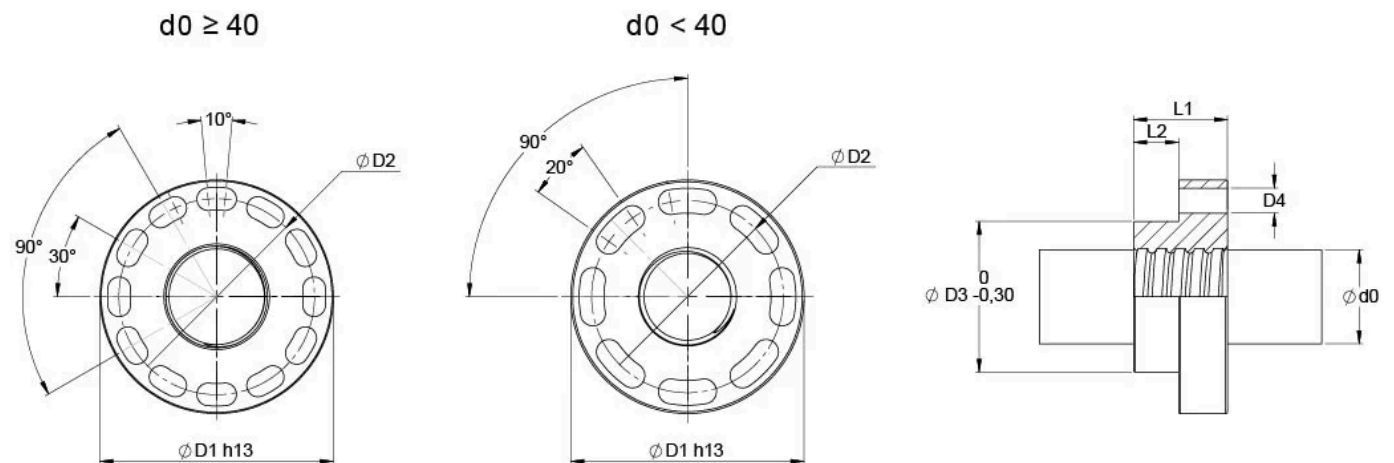
All dimensions in mm.



General Data

| Designation | Ca0 (N) |
|-------------|---------|
| SNFSCR1605 | 50000 |
| SNFSCR2005 | 61000 |
| SNFSCR2505 | 75000 |
| SNFSCR2510 | 56000 |
| SNFSCR3205 | 112000 |
| SNFSCR3210 | 113000 |
| SNFSCR4005 | 163000 |
| SNFSCR4010 | 190000 |
| SNFSCR5010 | 226000 |

Dimensions



| Designation | d1 | d2 | D3 | D4 | L1 | L2 | d0 |
|-------------|-----|----|----|-------|----|----|----|
| SNFSCR1605 | 48 | 38 | 28 | 8x5.5 | 25 | 12 | 16 |
| SNFSCR2005 | 58 | 47 | 36 | 8x6.6 | 25 | 12 | 20 |
| SNFSCR2505 | 62 | 51 | 40 | 8x6.6 | 25 | 12 | 25 |
| SNFSCR2510 | 62 | 51 | 40 | 8x6.6 | 30 | 15 | 25 |
| SNFSCR3205 | 80 | 65 | 50 | 8x9 | 30 | 15 | 32 |
| SNFSCR3210 | 80 | 65 | 50 | 8x9 | 30 | 15 | 32 |
| SNFSCR4005 | 93 | 78 | 63 | 12x9 | 35 | 15 | 40 |
| SNFSCR4010 | 93 | 78 | 63 | 12x9 | 40 | 15 | 40 |
| SNFSCR5010 | 110 | 93 | 75 | 12x11 | 40 | 15 | 50 |